

# Paglight L. 250W hand-held location lighting.



24V or 30V 250W Paglight L.



24V or 30V 10Ah Pagbelt NMH is the ideal power source for the 250W Paglight L.

## Location Basher

This compact and portable 250W hand-held fill-light is available in 24V and 30V models, and incorporates many features of PAG's on-board camera light.

## Fully-Focusable

Focusing is provided by a lever situated on the side of the lamp body and is continuously variable from narrow to wide angle.

## Plug-in Lampholders

A lampholder unit plugs into the rear of the light and is locked in position. It can be easily withdrawn, making lamp replacement safe and quick.

## Heat Dissipation

The lamp body and reflector housing are constructed to maximise the dissipation of heat as well as to provide strength and impact resistance.

## Perfect Positioning

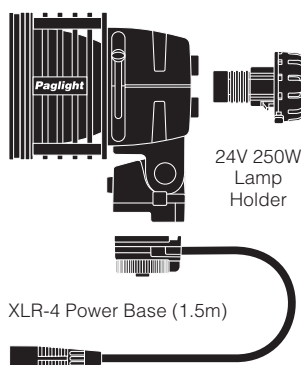
The lamp body has a multi-directional mounting and may be adjusted vertically and horizontally. The desired position can be maintained by a locking lever situated on the side of the light base.

## Detachable Power Base

The 250W Paglight has a detachable power base that incorporates a lead terminated with an XLR-4 connector. This can be used to power the light from a Pagbelt NMH battery belt. Paglight L Kits are available that include either a 24V or 30V Pagbelt (see below).

The Paglight base incorporates a 1/4" Whit bush which enables the light to be mounted to a tripod or a handle using one of the Universal Mounting Options (see Page 26).

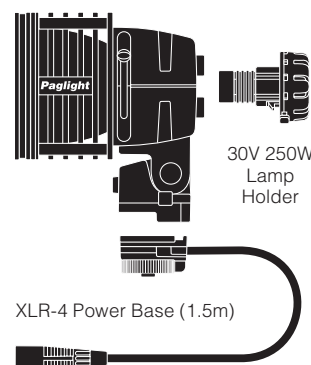
## 250W Paglight Options



24V 250W  
Lamp  
Holder

XLR-4 Power Base (1.5m)

Paglight L24  
Model 9031



30V 250W  
Lamp  
Holder

XLR-4 Power Base (1.5m)

Paglight L30  
Model 9032

> Accessory Kit, handle, lamp protector and lamps are sold separately.

## 250W Paglight Kits Incorporating Pagbelt NMH.



### Paglight 250W Kits:

Comprise: Paglight, XLR-4 power base (lead length 1.5m), plug-in lamp holder, accessory ring, diffuser, dichroic filter, parallel barn doors (pair), handle, 2 x 250W lamps, Pagbelt NMH with integral overnight charger, AC power lead for country of use and fitted flight case.

Paglight L24 Kit (24V 10Ah Pagbelt NMH)

Paglight L30 Kit (30V 10Ah Pagbelt NMH)