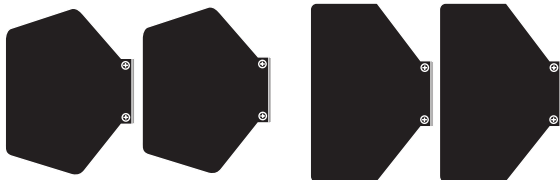
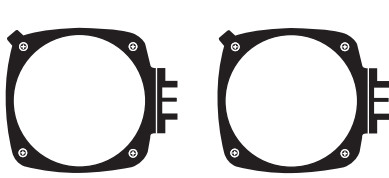


Paglight L24 & L30 System.



9038
Tapered Barn Doors (pair)

9037
Parallel Barn Doors (pair)



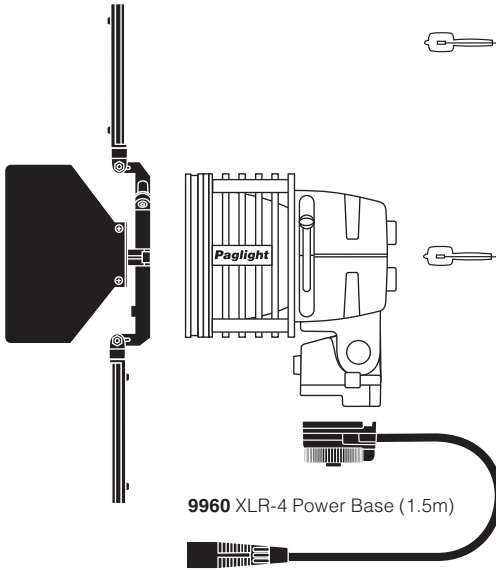
9036 Diffuser

9035 Dichroic Filter



9034
Accessory Holder
(ring only)

9033 Rotatable Accessory Kit:
Ring, Diffuser, Dichroic and
Parallel Barn Doors



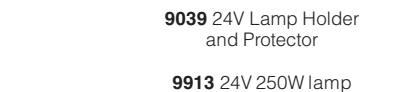
9960 XLR-4 Power Base (1.5m)



9040 30V Lamp Holder
and Protector



9047 30V 250W lamp



9039 24V Lamp Holder
and Protector

9913 24V 250W lamp

See Universal Mounting Options below

Universal Paglight Mounting Options.

These useful accessories enable any Paglight to be mounted to any camera, tripod, lighting rig or gaff grip



9990 Paglight Extender Arm.
Enables you to position the
camera light to the side of the
subject or away from the
microphone to avoid the casting
of shadows.



9971
Stud Adaptor
male to male
1/4" Whit.



9972
Camera
Shoe Plate
1/4" Whit.



9990 Extender Arm 1/4" Whit.
Lifts the Paglight clear of the microphone,
and allows the subject to be lit from the side.
Includes shoes for Sony and Panasonic mounts.



9807 Camera Clamp
bush 1/4" Whit.
Clamps the Paglight to
the handle of the camera.



9906
Handle stud to
bush 1/4" Whit.
(length 127mm)



9985
Spigot Adaptor
1/2" dia. to
1/4" Whit.



9974
Thread Adaptor
3/8" dia. to
1/4" Whit.



9976
Spigot Pin
5/8" dia. to
1/4" Whit.



9975
Spigot Pin
1/2" dia. to
1/4" Whit.



9977
Multi-Configuration Spigot
Adaptor: 5/8", 1/2" and
1/4" dia. in-line or 90°
conversion.

9978 Mounting Adaptor Kit: comprises
9971, 9974, 9975, 9976 & 9977