

PAG ™

Professional Broadcast Equipment

PAG X1A

Camcorder Support System



InstructionManual



CONVERT YOUR X1A TO ORBITOR

THIS PACKAGE CONTAINS THE
NEW CONVERTIBLE PAG X1A

It is now possible to convert the PAG X1A to the PAG Orbitor Advanced Camcorder Support System (as shown below), by purchasing a Conversion Kit, Model 2003.

For more information contact the PAG Sales Department:
Email sales@paguk.com / Telephone +44 (0)20 8543 3131



PAG Orbitor Advanced Camcorder Support System



Professional Broadcast Equipment

PAG X1A

Camcorder Support System

Instruction Manual

CONTENTS

SECTION		PAGE
1	SAFETY	2
2	ASSEMBLY & OPERATION	2
4	ACCESSORIES	6
5	SERVICE & WARRANTY	7

SECTION 1

SAFETY

- 1.1 This manual contains important safety and operating instructions. Please read these fully before using the PAG X1A and any of its component parts.
- 1.2 The PAG X1A is supplied with a counterbalance, weighing 1.25kg, and fitted to the back plate of the shoulder pad assembly. The weight is held in position by a single screw and a securing knob.

ALWAYS ENSURE THAT THE WEIGHT HAS BEEN SECURED TO THE BACK PLATE WITH THE SECURING KNOB AND CANNOT FALL FROM THE BACK PLATE.

SECTION 2

ASSEMBLY & OPERATION

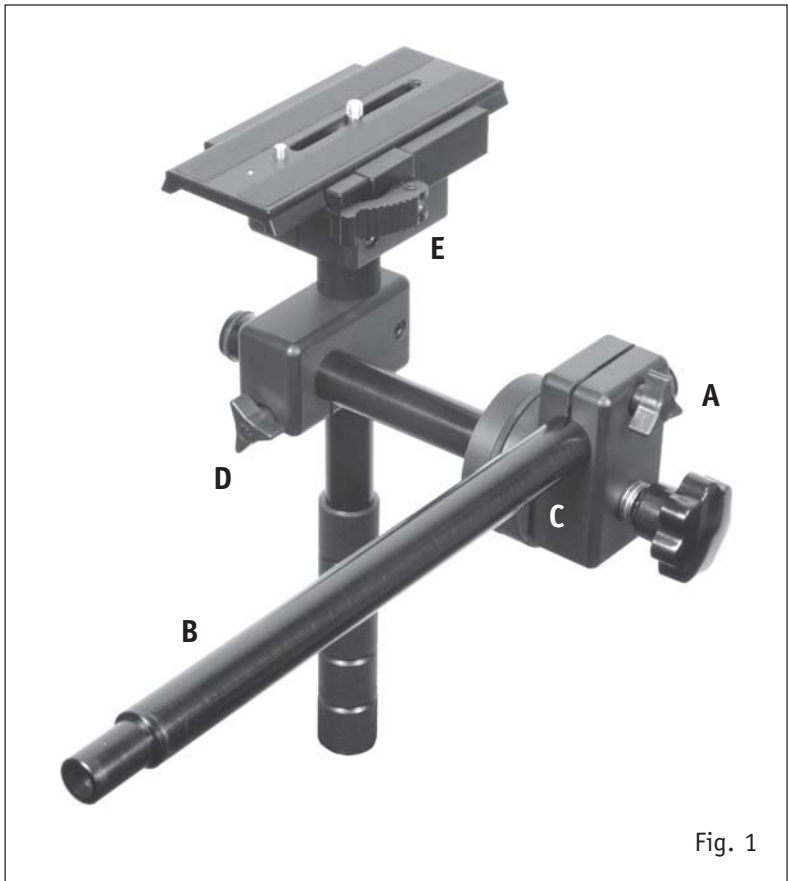
2.1 **Parts List:**

Remove the packaging and check that all the component parts have been supplied:

- * Camera mount assembly.
- * Supporting rod.
- * Shoulder pad assembly.

2.2 **System Philosophy:**

To obtain the best result the PAG X1A Camcorder Support System has to be correctly assembled and adjusted so that the camcorder is correctly balanced. When this has been achieved The PAG X1A will provide a stable shooting platform.



2.3 Assembly Sequence:

Step 1 - Assembling the PAG X1A

Refer to Fig. 1 - Loosen wingnut **A** and insert rod **B** into block **C**, at the angle shown. Lock wingnut **A** but do not overtighten.

Refer to Fig. 2 - Release wingnut **F** on the shoulder pad assembly and insert stepped portion of rod **B** fully into the shoulder assembly block and lock wingnut **F**, but do not overtighten.

Step 2 - Mounting the Camera to the PAG X1A

The professional camera mounting system is fully adjustable and universal.

1. First, remove the sliding camera plate by turning the small black lever **E** counter-clockwise (refer to Fig. 1).
2. Slide the camera plate up to the safety lock, then press the brass safety button to continue to remove the plate.
3. The sliding camera plate incorporates a 1/4" Whit. stud enabling the camera to be mounted to the plate via the 1/4" bush situated on the underside of the camera. NOTE: some cameras have a location hole to prevent the rotation of the mounting plate. The camera plate incorporates a brass spring-loaded pin that should be aligned with the hole in this instance. Secure the plate to the bottom of the camera using a coin to tighten the screws.

A USEFUL TIP:

Always consider the centre of gravity of the camera when mounted to the plate. Before sliding it into the camera support assembly, place a pencil at an angle of 90° beneath the sliding plate under the camera, and move the camera up and down until you find the centre of gravity. Note the position, and endeavour to align this point just behind the centre line of the handles when sliding the camera onto the mounting block, and locking it in position.

Step 3 - Operating the PAG X1A

Once the camera has been mounted you can position the PAG X1A support assembly on your right shoulder, holding the handle in your left hand. This will leave your right hand free to operate the camcorder.

Fine adjustments can then be made to the camera's point of balance, i.e. if the camera tends to tip forward, release the lock and slide it back until it stabilises.

Step 4 - Panning (refer to Fig. 2)

Partially release panning knob **G** and practice panning the camera from left to right and back again. Adjust the tension of the knob until the desired tension has been achieved.

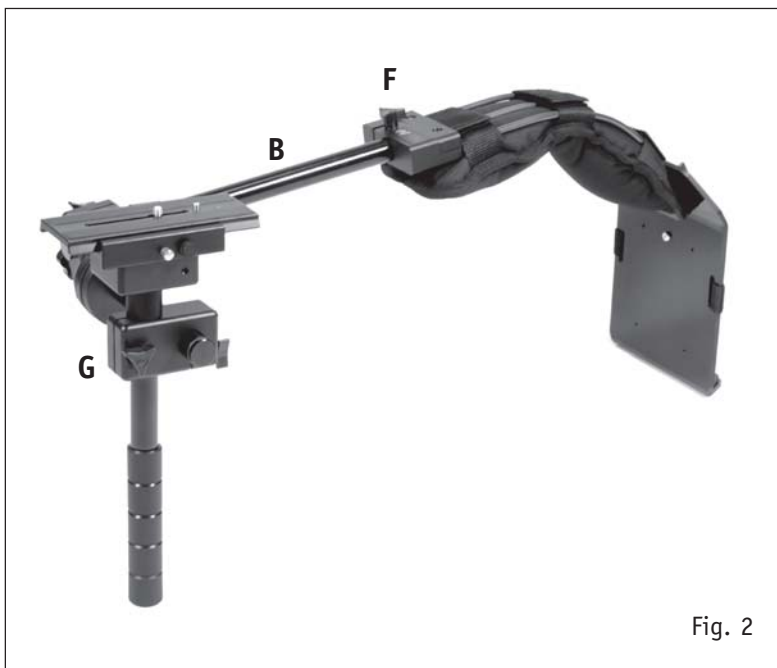


Fig. 2

Step 5 - Tilting (refer to Fig. 1)

Partially release the tilting knob **D** and practice tilting the camera forwards and backwards. Adjust the tension of the knob until the desired tension has been achieved.

2.4 The Counterbalance Weight

The PAG X1A is supplied with a counterbalance, weighing 1.25kg, and fitted to the back plate of the shoulder pad assembly. The weight is held in position by a single screw and a securing knob.

ALWAYS ENSURE THAT THE WEIGHT HAS BEEN SECURED TO THE BACK PLATE WITH THE SECURING KNOB AND CANNOT FALL FROM THE BACK PLATE.

The webbing strap which is included for the purpose of securing a battery to the back plate, in place of the weight, can be left in position, as extra security.

SECTION 3

ACCESSORIES

- 3.1 The appropriate PAG battery will make the perfect counterbalance, in place of the weight supplied with the PAG X1A. The back plate of the shoulder pad assembly can be fitted with the PAGlok Connector professional battery mount. This will enable a 12V to 14.8V PAGlok battery to be used as a means of powering a Paglight M 12V on-board camera light. The camcorder can also be powered from this battery with the appropriate PAG DC Adaptor.
- 3.2 The PAG C6 PowerPack, a 6V Ni-MH battery supplied as part of the Paglight C6 Lighting Kit, Model 1001, also makes a good counterbalance and replacement for the weight supplied as part of the PAG X1A. This all-inclusive, miniature on-board camera lighting kit is an excellent product that will greatly enhance your system.
- 3.3 It is now possible to convert the PAG X1A to the PAG Orbitor Advanced Camcorder Support System by purchasing Conversion Kit Model 2003.

Visit the PAG website **www.paguk.com** or contact the PAG Sales Department for details of these and other PAG products.

Email: sales@paguk.com

Telephone: +44 (0)20 8543 3131

- 3.4 Remote controls, LCD monitors and other professional camera accessories can be clamped to the lightweight but strong PAG X1A structure.

SERVICE & WARRANTY

4.1 Service

If a fault develops please return the product to your dealer or to PAG Ltd. 565 Kingston Road, Raynes Park, London SW20 8SA, UK. Tel +44 (0) 20 8543 3131 Fax +44 (0) 20 8540 4797 E-mail sales@paguk.com.

4.2 Warranty

Notwithstanding any provision of any agreement the following Warranty is exclusive: PAG Limited warrants each PAG X1 it manufactures to be free of defects in material and workmanship under use and service for **1 YEAR** from the date of purchase. This warranty extends only to the original purchaser. This warranty shall not apply to any product or parts which have been subject to misuse, neglect, accident or abnormal conditions of operation.

In the event of failure of a product covered by this warranty, PAG Limited will repair and calibrate equipment returned to an authorised Service Facility within the period of the warranty, provided the warrantor's examination discloses to its satisfaction the product was defective. The warrantor may, at its option, replace the product in lieu of repair. With regard to any equipment returned within this period, said repairs or replacements will be made without charge. If the failure has been caused by misuse, neglect, accident or abnormal conditions of operation, repairs will be billed at a nominal cost. In such a case, an estimate will be submitted before work is started, if requested.

The foregoing Warranty is in lieu of all other warranties, express or implied, including but not limited to any implied warranty or merchantability, fitness or adequacy for any particular purpose or use. PAG Limited shall not be liable for any special, incidental, or consequential damages, whether in contract, tort, or otherwise.

U5083 ISS B / FEB 2009

PAG Ltd.
565 Kingston Road
Raynes Park
London SW20 8SA

T +44 (0)20 8543 3131
F +44 (0)20 8540 4116
E sales@paguk.com
www.paguk.com